





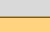




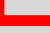


**HYDRO ONE – LAKESHORE T.S
CLASS ENVIRONMENTAL ASSESSMENT**

ALTERNATIVE STATION CONFIGURATIONS

-  Junction
-  Proposed Hydro One Temporary Bypass Transmission Corridor
-  Proposed Transmission Line Tap Connection
-  Alternative Transformer Site B Transmission Corridor
-  Alternative Transformer Site C Transmission Corridor
-  Existing 230 kV Electrical Transmission Line
-  Alternative Transformer Site A – 2 Transformers each (4 total)
-  Alternative Transformer Site B – 4 Transformers
-  Alternative Transformer Site C – 4 Transformers
-  Proposed Switching Station
-  Class EA Study Area
-  Watercourse/Constructed Drain



MAP CREATED BY: GM
 MAP CHECKED BY: JW
 MAP PROJECTION: NAD 1983 UTM Zone 17N

